

# IR Quattro SLIM XS 4m

COM1 - square  
 EAN 4007841 032951  
 Article number 032951



Infrarot-Sensor  
360°



Max. 4 x 4 m  
Präsenz



IP20

1000 W

1000 W max. (LED-fähig)



10 - 1000 Lux mit  
RC 8



1 Min - 15 Min mit  
RC 8



Ideal 2,5 - 4 m

Teach

Teach mode

iQ

iQ-mode

5 years

Herstellergarantie  
steinel-  
professional.de/  
garantie

## Function description

Noticeably Inconspicuous. IR Quattro SLIM XS, the extra-slim presence detector in concealed-box format. Fits into any standard concealed box. Overall height of just 6 mm. High-precision 360° infrared sensor with globally unique retina lens and 16 sq.m square presence detection zone (4 x 4 m). Adjustment via remote control or Smart Remote. Round aperture is additionally enclosed.

## Technical specifications

Dimensions (L x W x H)	55 x 80 x 80 mm	LED lamps > 8 W	64 W
Manufacturer's Warranty	5 years	Capacitive load in µF	176 µF
Settings via	Remote control, Smart Remote	Technology, sensors	passive infrared, Light sensor
With remote control	Yes	Mounting height	2,50 – 4,00 m
Version	COM1 - square	Mounting height max.	4,00 m
PU1, EAN	4007841032951	Optimum mounting height	2,8 m
Type	Presence detector	Detection angle	360 °
Application, place	Indoors	Angle of aperture	71 °
Application, room	one-person office, hotel room, care room, function room / ancillary room, WC / washroom, Indoors	Sneak-by guard	Yes
Colour	white	Capability of masking out individual segments	No
Colour, RAL	9010	Electronic scalability	No
Includes corner wall mount	No	Mechanical scalability	No
Installation site	ceiling	Reach, radial	4 x 4 m (16 m <sup>2</sup> )
Installation	In-ceiling installation, Ceiling	Reach, tangential	4 x 4 m (16 m <sup>2</sup> )
IP-rating	IP20	Reach, presence	4 x 4 m (16 m <sup>2</sup> )
Ambient temperature	0 – 40 °C	Switching zones	408 switching zones

# IR Quattro SLIM XS 4m

COM1 - square  
 EAN 4007841 032951  
 Article number 032951



## Technical specifications

Material	Plastic
Mains power supply	220 – 240 V / 50 – 60 Hz
Switching output 1, resistive	1000 W
Switching output 1, number of LEDs / fluorescent lamps	8 pcs.
Fluorescent lamps, electronic ballast	400 W
Fluorescent lamps, uncorrected	500 VA
Fluorescent lamps, series-corrected	500 VA
Fluorescent lamps, parallel-corrected	500 VA
Switching output 1, low-voltage halogen lamps	500 VA
LED lamps < 2 W	16 W
LED lamps > 2 W < 8 W	64 W

Functions	Normal / test mode, Semi-/fully automatic, Manual ON / ON-OFF
Twilight setting	10 – 1000 lx
Time setting	60 s – 30 Min.
Basic light level function	No
Main light adjustable	No
Twilight setting TEACH	Yes
Constant-lighting control	No
Interconnection	Yes
Type of interconnection	Master/master, Master/slave
Interconnection via	Cable

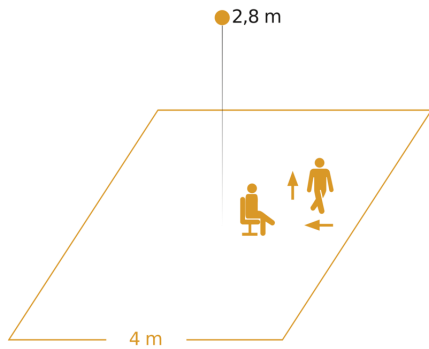
## Accessories

EAN 4007841 009151	Remote control Smart Remote
EAN 4007841 559410	Service remote control RC8

# IR Quattro SLIM XS 4m

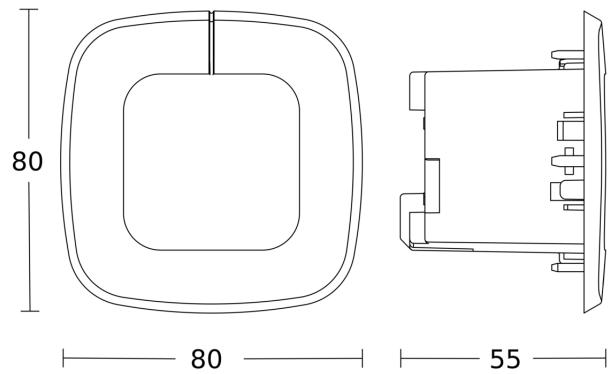
COM1 - square  
EAN 4007841 032951  
Article number 032951

## Detection Zone

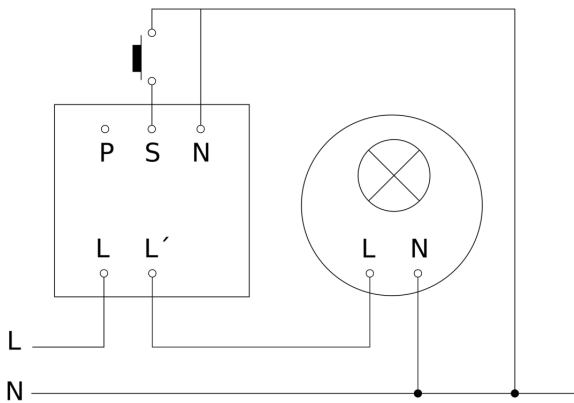


Possible mounting height: 2,50 m - 4,00 m  
Orange: presence, tangential and radial

## Dimension Drawing



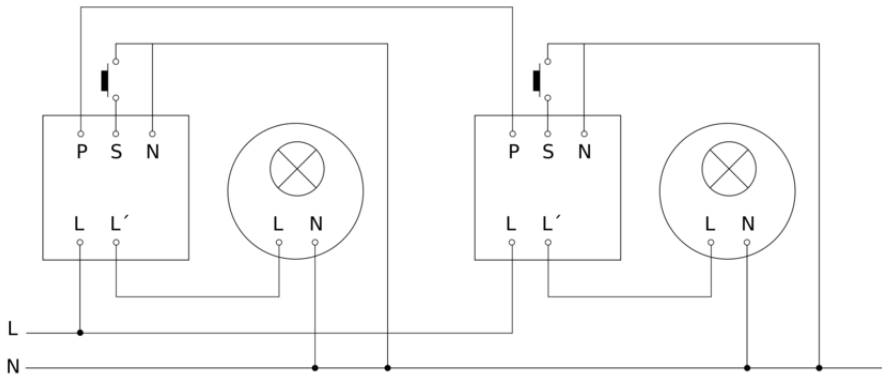
## Master circuit diagram



# IR Quattro SLIM XS 4m

COM1 - square  
EAN 4007841 032951  
Article number 032951

## Master/master interconnection circuit diagram



## Master/slave interconnection circuit diagram

